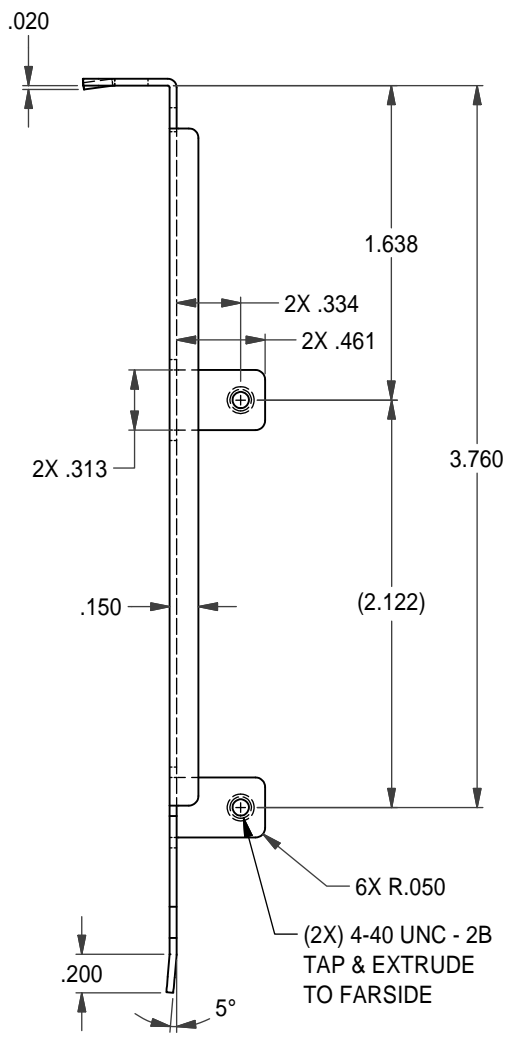
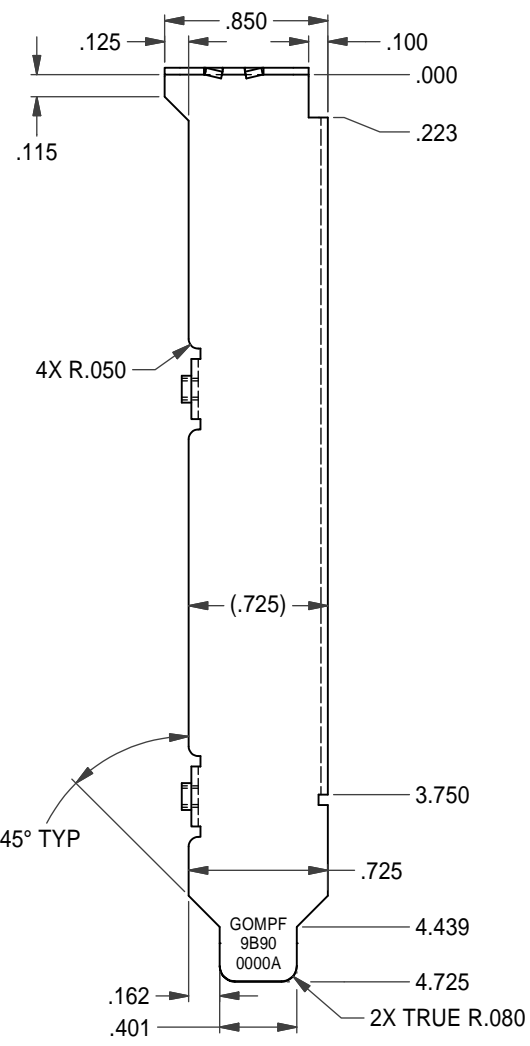
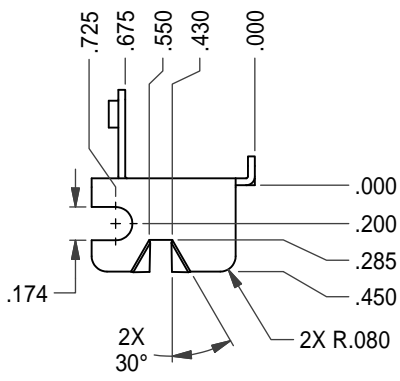


REVISION NOTICE		
REV	DESCRIPTION	DATE
00	ORIGINAL	3/25/2009
A	.550 WAS .530, .430 WAS .410, .461 WAS .527	4/14/2011



NOTE: STANDARD LOW PROFILE TO FULL PROFILE ADAPTOR BRACKET WITH STIFFENING FLANGE.

	DRAWN BY: Valen	DATE: 4/14/2011	<h2>Gompf Brackets, Inc.</h2> <p>12426 Suite C Mukilteo Speedway - Mukilteo, WA 98275 425-348-5002 (phone) 425-348-5150 (fax) sales@bracket.com -- www.bracket.com</p>						
	APPROVALS:	RoHS COMPLIANT: Yes							
	MATERIAL: 0.036" CRS		COPYRIGHT PROTECTED		SIZE: A	SCALE: 1:1	GOMPf PART NUMBER: 9B90-0000A	REV: A	THIRD ANGLE
	FINISH: Bright Nickel		CUSTOMER NAME:		CUSTOMER PART NUMBER:				
TOLERANCES: STD. TOLS. ± 0.010 RAD. TOLS. ± 0.01 HOL. TOLS. ± 0.005 MAT. TOLS. ± 0.002									