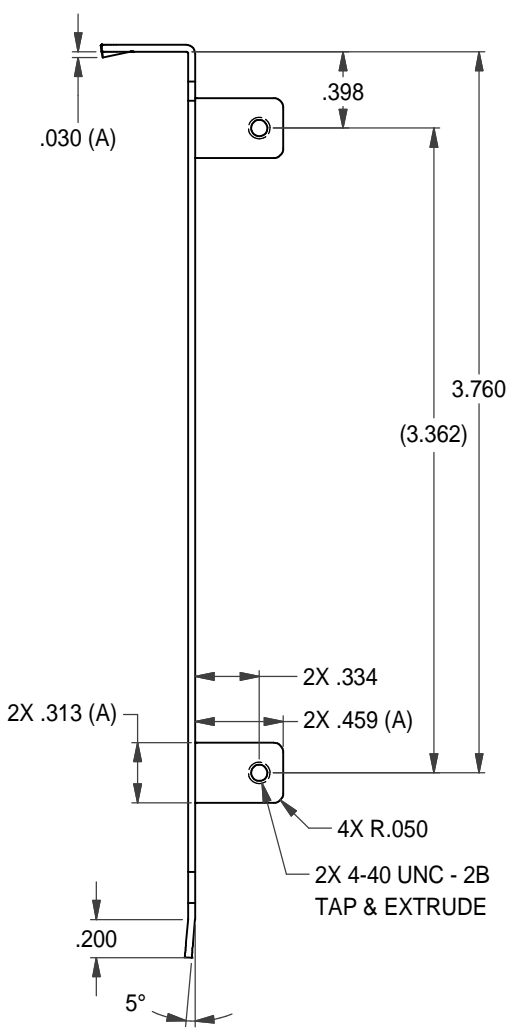
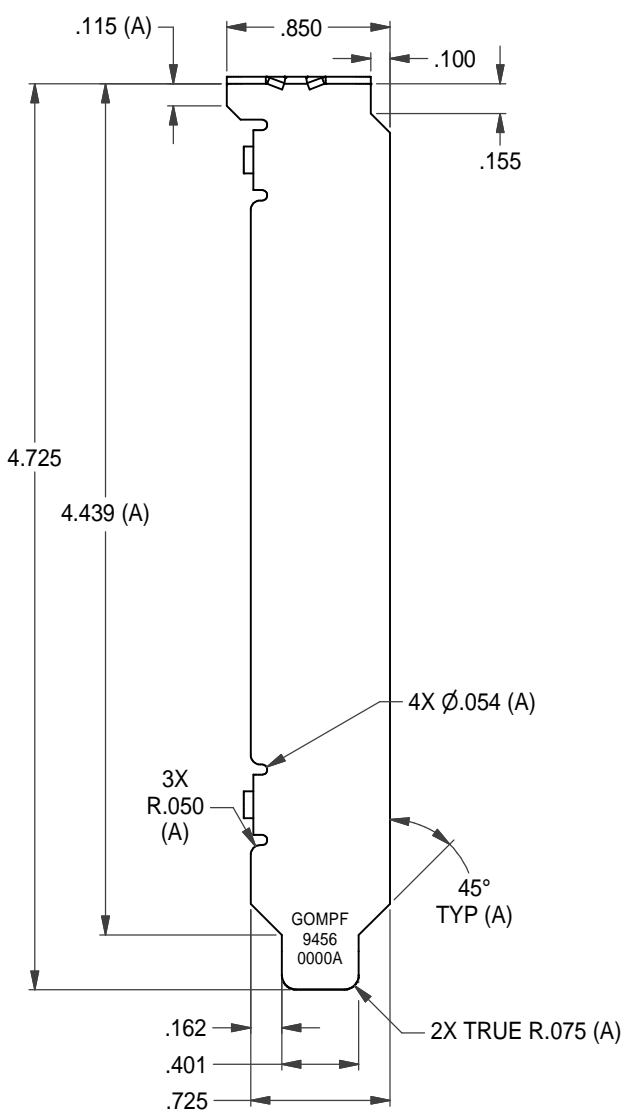
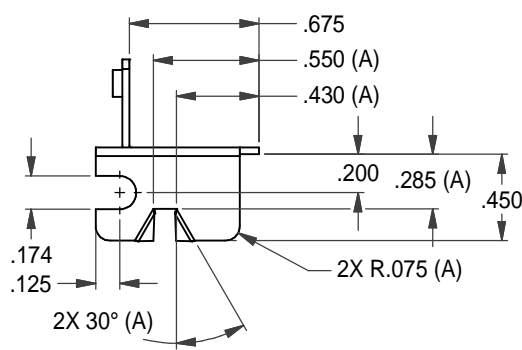


| REVISION NOTICE | | |
|-----------------|----------------------------|---------|
| REV | DESCRIPTION | DATE |
| 00 | ORIGINAL | 6/24/97 |
| A | ADJUST TO PCI SPEC REV 2.3 | 3/26/03 |



| | | |
|--|---|--------------------|
| | DRAWN BY: valen | DATE: 8/12/2003 |
| | APPROVALS: | |
| | MATERIAL: 0.036" THK CRS | |
| | FINISH: BRIGHT NICKEL | |
| | TOLERANCES: STD. TOLS. ± 0.01 RAD. TOLS. ± 0.01 HOL. TOLS. ± 0.005 MAT. TOLS. ± 0.002 | |

Gompf Brackets, Inc.

12426 Suite C Mukilteo Speedway - Mukilteo, WA 98275
866-391-0495 (phone) 866-391-0496 (fax)
sales@bracket.com -- www.bracket.com

| | | | | | | |
|---------------------|--|---------|------------|-----------------------------------|--------|-------------|
| COPYRIGHT PROTECTED | | SIZE: A | SCALE: 1:1 | GOMPFP PART NUMBER: 9456-0000A | REV: A | THIRD ANGLE |
| CUSTOMER NAME: | | | | CUSTOMER PART NUMBER: | | |