

Gompf

GOMPf BRACKETS, INC.
 WWW.BRACKET.COM
 sales@bracket.com
 Phone: (425) 348-5002
 Fax: (425) 348-5150

COPYRIGHT PROTECTED

DWG. NO.

9110-0000

ISA RETAINER

MATERIAL: BLACK
 POLYCARB UL94V-0
 WITH 10% FIBERGLASS ADDED

TOLERANCES:

STD. TOLS. +0.010
 RAD. TOLS. +0.010
 HOLE TOLS. +0.005
 MAT. TOLS. +0.002

SCALE: 1:1

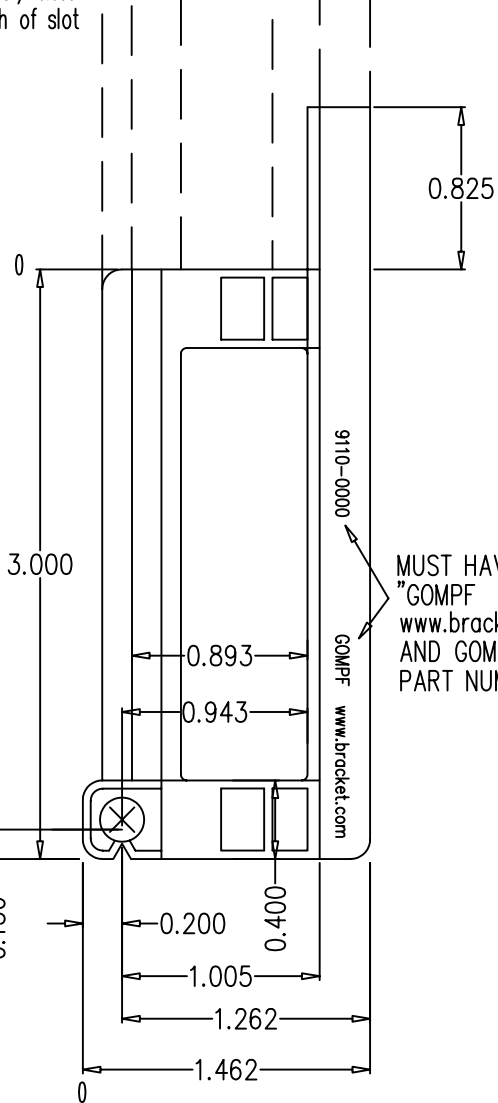
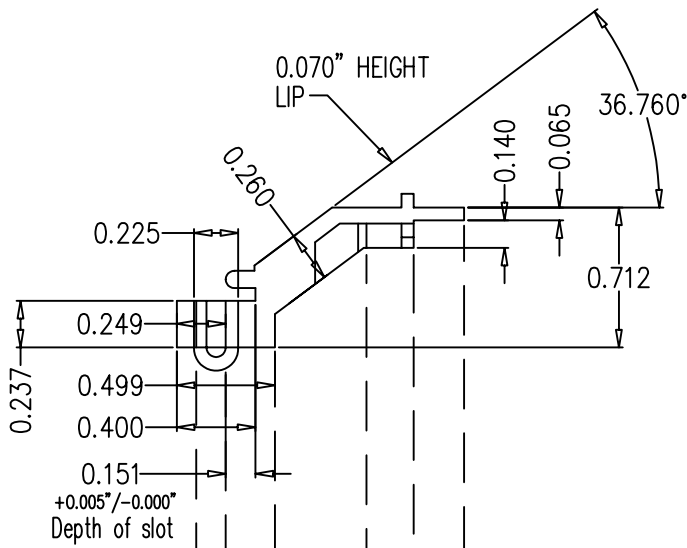
DATE: 6/22/98

REV. 0

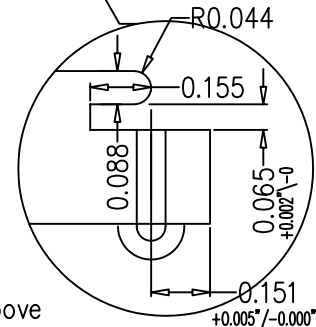
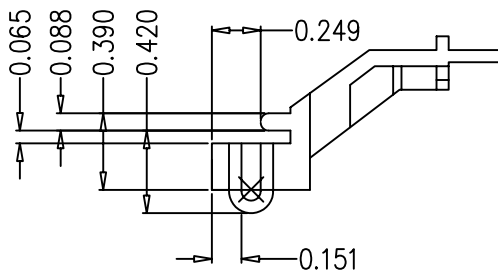
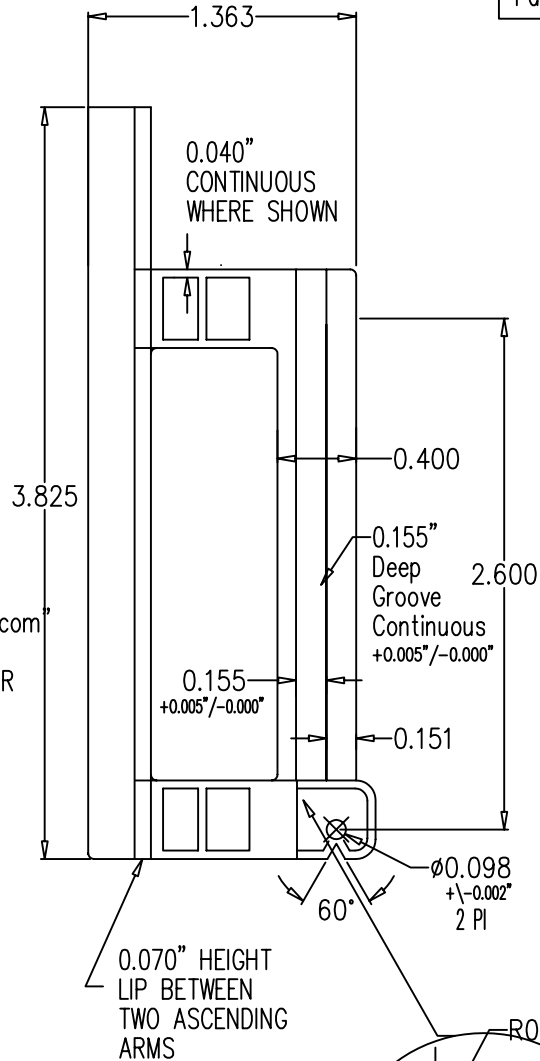
ISSUED:

APPROVALS:

DRAWN BY: BF



MUST HAVE
 "GOMPf
 www.bracket.com"
 AND GOMPf
 PART NUMBER



Detail of Groove
 Scale 2X