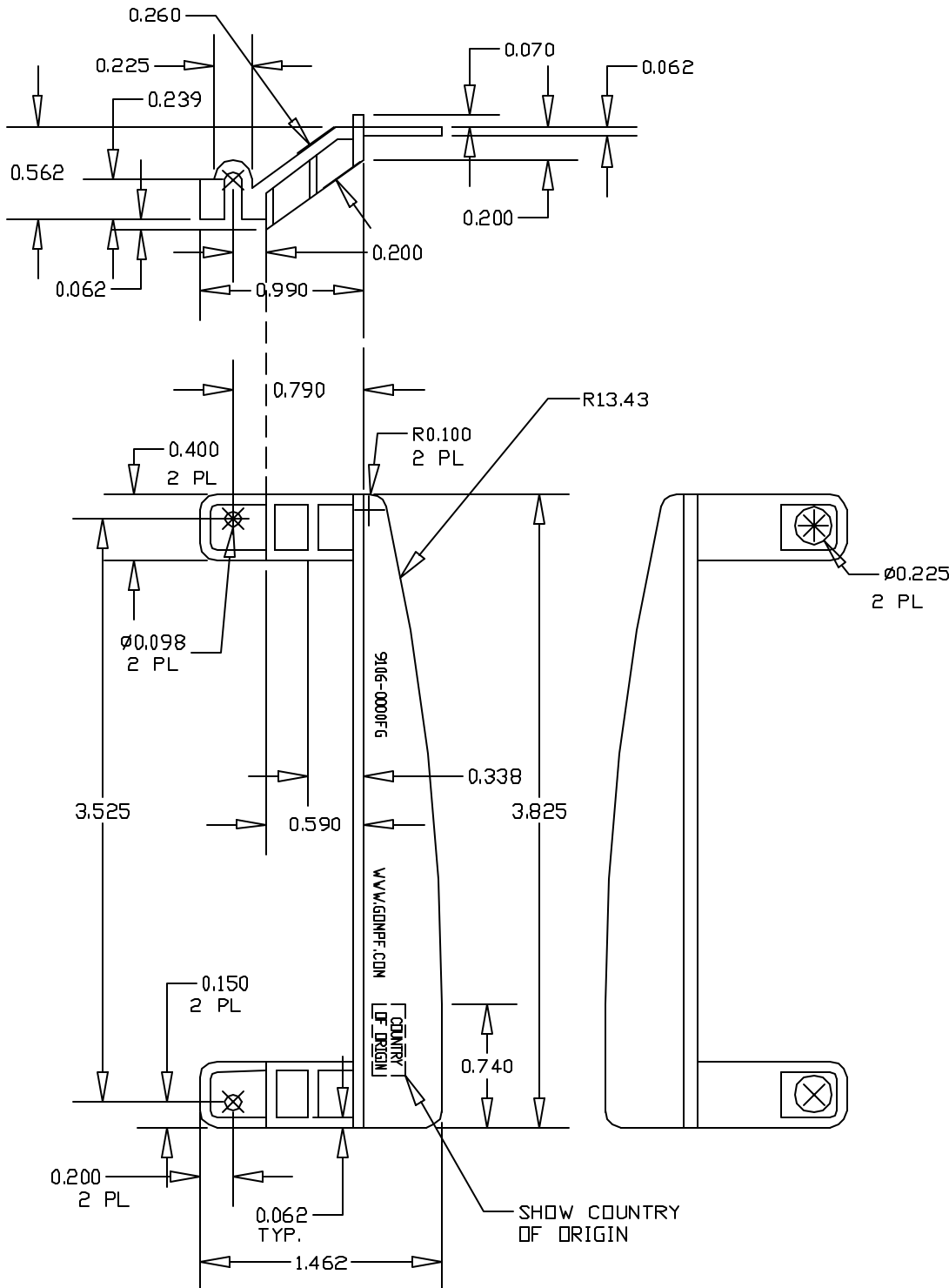


ENGINEERING CHANGE ORDER

Item#	DESCRIPTION	DATE
00	ORIGINAL	6/26/97
01	REMOVED "WA" FROM P/N JULY 97 PER U.S. CUSTOMS	5/20/98
02	CHANGE SPEC $\phi 0.098$ TO $\phi 0.093$	10/7/98
03	CHANGED TEXT "GOMPf 98027" TO "WWW.GOMPf.COM", UPDATED CUSTOMER PART NUMBER	10/13/99
04	CHANGE SPEC $\phi 0.093$ TO $\phi 0.098$	11/17/99
05	ADDED COUNTRY OF ORIGIN	6/28/00

**Gompf**

GOMPf BRACKETS, INC.  
1410 19th AVE. S.E.  
Issaquah, WA.  
98027-8923  
Phone: (425)391-0495  
Fax: (425)391-0496



**COPYRIGHT PROTECTED**

DWG  
NO. 9106-0000FG

MATERIAL: BLACK UL94V-0  
WITH 10% FIBERGLASS

FINISH:  
BLACK

TOLERANCES:  
STD. TOLS.  $\pm 0.010$   
RAD. TOLS.  $\pm 0.010$   
HOLE TOLS.  $\pm 0.005$   
MAT. TOLS.  $\pm 0.002$

SCALE: 1:1

DATE: 6/28/00

REV. 0

CHECKED:

APPROVALS:

DRAWN BY: BF/VW