

ENGINEERING CHANGE ORDER

Item#	DESCRIPTION	DATE
00	ORIGINAL	11/12/96
01	FILLET RADIUS 0.250 WAS 0.100	11/17/00

Gompf

GOMPf BRACKETS, INC.
 WWW.BRACKET.COM
 sales@bracket.com
 Phone: (425) 348-5002
 Fax: (425) 348-5150

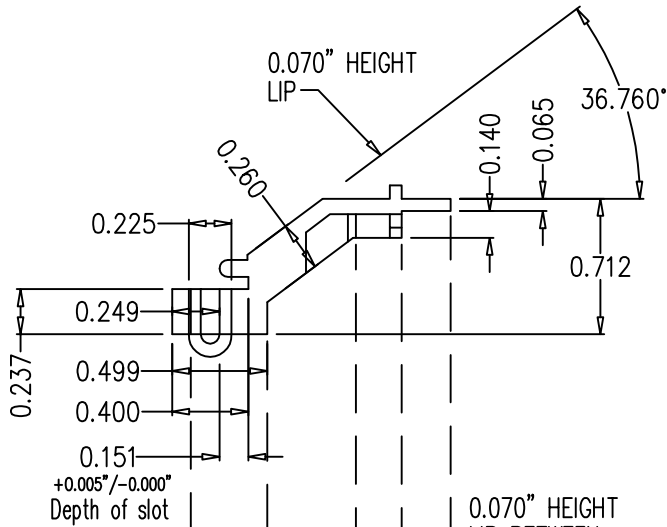
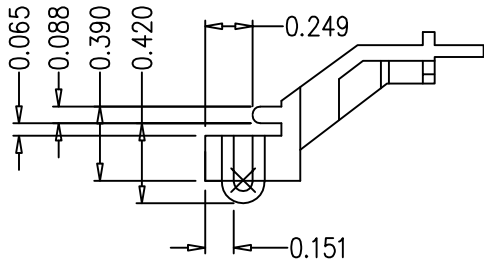
COPYRIGHT PROTECTED

DWG. NO.
 9101-0000
 PCI/ISA RETAINER

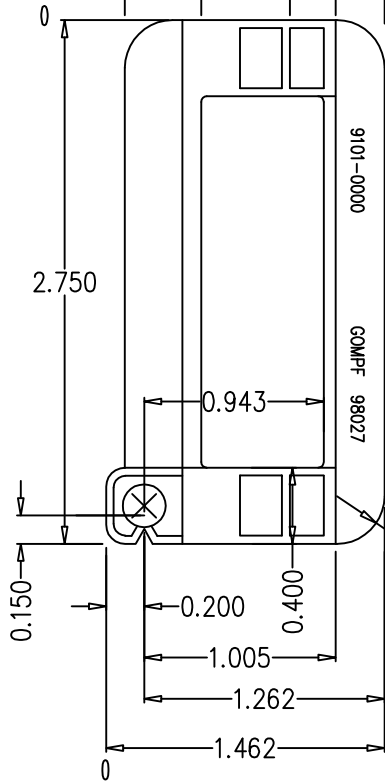
MATERIAL: BLACK
 POLYCARB UL94V-0

TOLERANCES:
 STD. TOLS. ±0.010
 RAD. TOLS. ±0.010
 HOLE TOLS. ±0.005
 MAT. TOLS. ±0.002

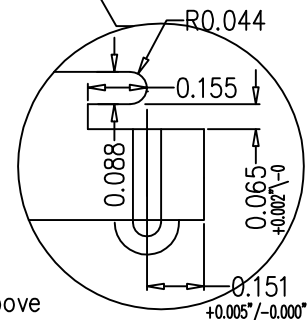
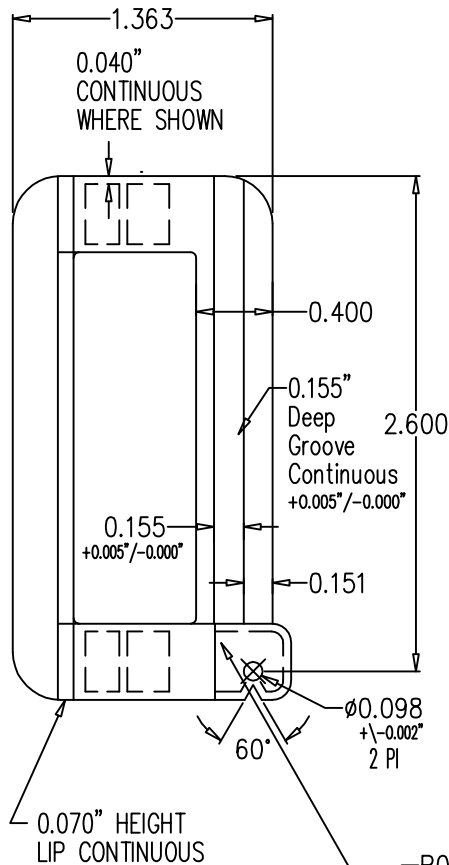
SCALE: 1:1
 DATE: 11/17/00
 REV. 0
 ISSUED:
 APPROVALS:
 DRAWN BY: DB / VW



0.070" HEIGHT LIP BETWEEN TWO ASCENDING ARMS



MUST HAVE GOMPf 98027 AND GOMPf PART NUMBER



Detail of Groove Scale 2X