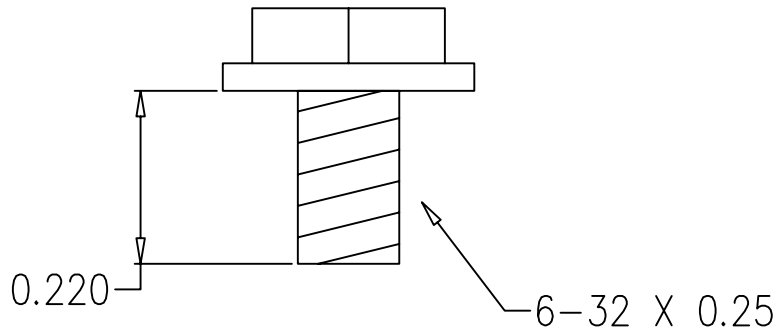
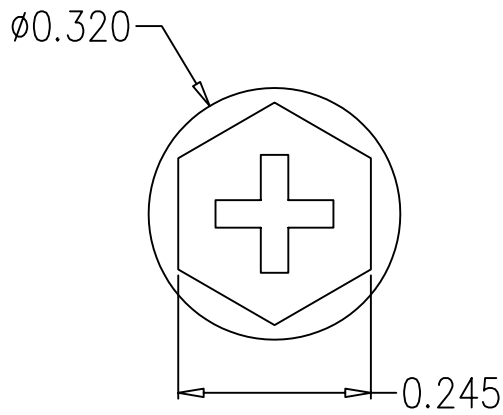


# Gompf

GOMPF BRACKETS, INC.  
WWW.BRACKET.COM  
sales@bracket.com  
Phone: (425) 348-5002  
Fax: (425) 348-5150



**COPYRIGHT PROTECTED**

DWG. NO. 6089-3515

MATERIAL: STEEL

FINISH: ZINC

TOLERANCES:  
STD. TOLS.  $\pm 0.010$   
RAD. TOLS.  $\pm 0.010$   
HOLE TOLS.  $\pm 0.005$   
MAT. TOLS.  $\pm 0.002$

SCALE: 1:1

DATE: 2/6/02

REV. 0

ISSUED:

APPROVALS:

DRAWN BY: VW