

Gompf

GOMPf BRACKETS, INC.
WWW.BRACKET.COM
sales@bracket.com
Phone: (425) 391-0495
Fax: (425) 391-0496

COPYRIGHT PROTECTED

DWG. NO. 6089-3509A

MATERIAL: STEEL

FINISH: NICKLE PLATING

TOLERANCES:
STD. TOLS. +0.010
RAD. TOLS. +0.010
HOLE TOLS. +0.005
MAT. TOLS. +0.002

SCALE: 1:1

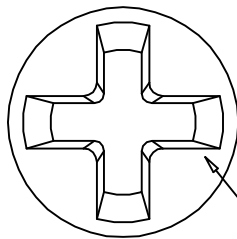
DATE: 3-14-97

REV. 0

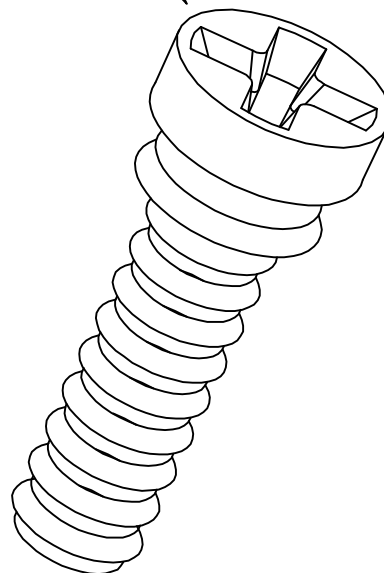
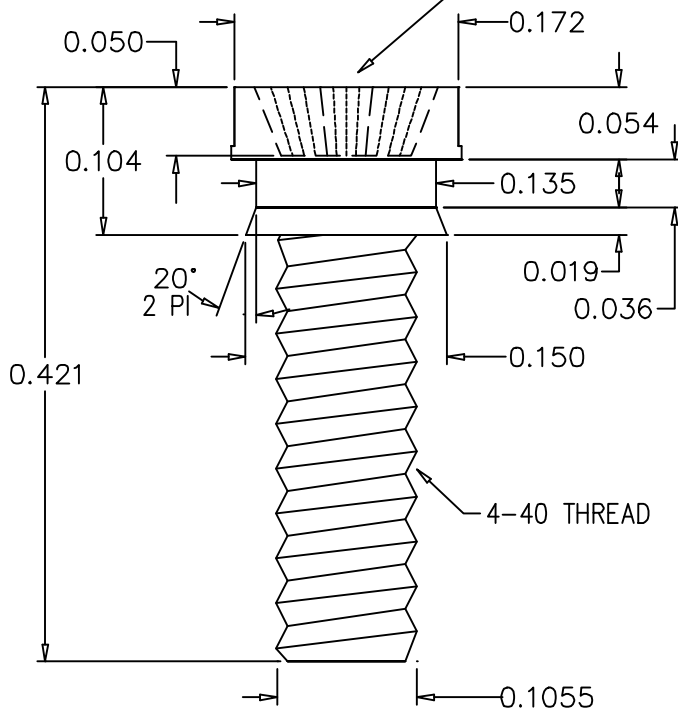
ISSUED:

APPROVALS:

DRAWN BY: DB



#4 SCREW
SLOT



NOTE: 4-40 THREADED SCREW