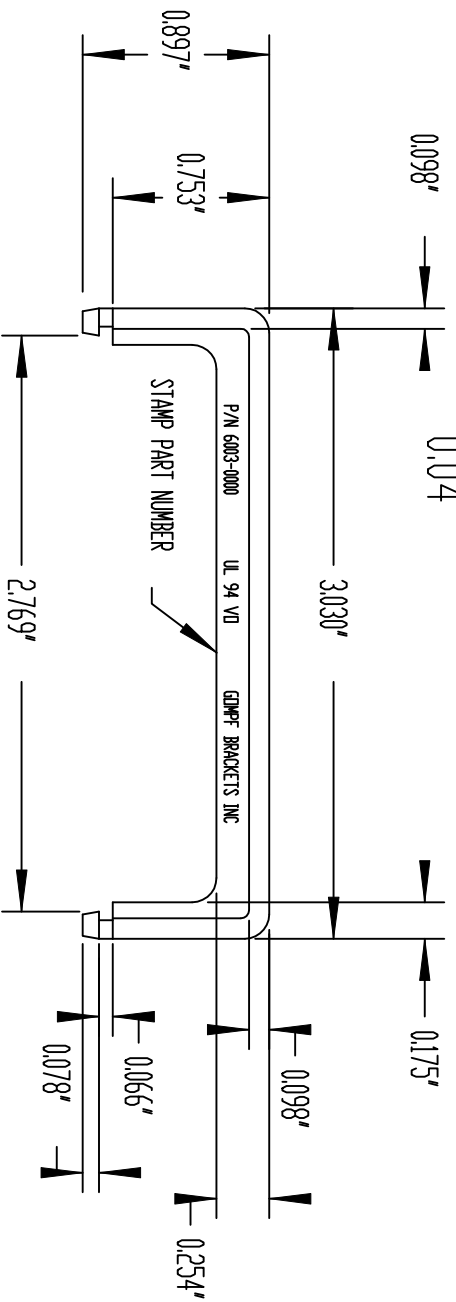
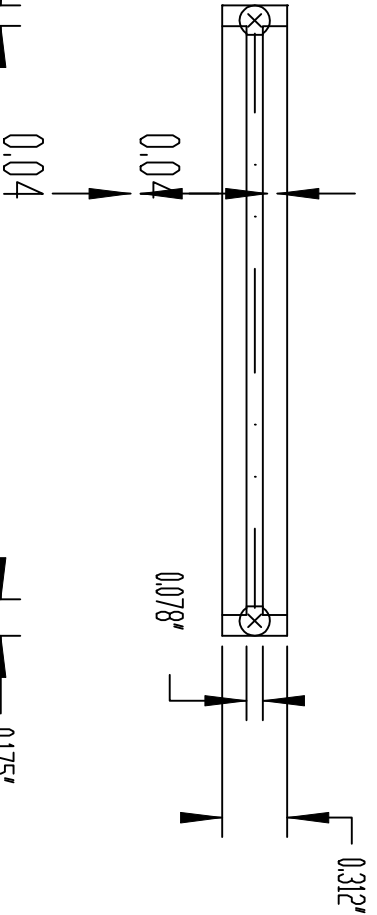


SCALE 2.5:1



P/N 6003-0000
UL 94 V0
GOMPf BRACKETS INC

STAMP PART NUMBER

TOLERANCES: STD. TOL'S +/- 0.010 RAD. TOL'S +/- 0.010 HOLE TOL'S +/- 0.005 MAT. TOL'S +/- 0.002	CONTRACT NO.:			GOMPf BRACKETS, INC. WWW.BRACKET.COM sales@bracket.com Phone: (425) 391-0495 Fax: (425) 391-0496
	APPROVALS:			
MATERIAL: LEXAN 141 BLACK	DRAWN BY: PBB	CHECKED: LK	SCALE: 1:1	DWG. NO. 6003-0000 RETAINER
	FINISH: SPI-SPE #2		COPYRIGHT PROTECTED	